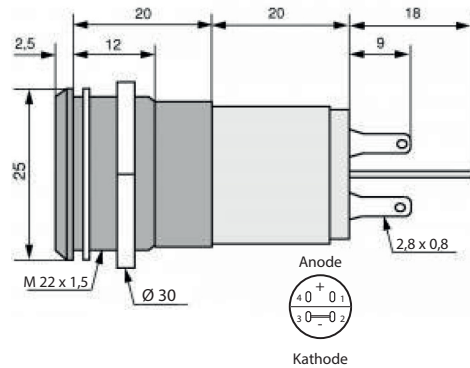


LED Panel Mount Indicator, Mounting hole 22mm, superflat black plastik bezel, with bridge rectifier

Part No.	Colour	Voltage	Current	Lumi. Intensity
		V_{op} AC/DC	$I_{op typ.}$ [mA] AC/DC	$I_V typ.$ [mcd]
195B1250UC	red	12	16	160
195B1251UC	green	12	16	400
195B1252UC	yellow	12	16	350
195B1257UC	blue	12	16	280
195B125WUC	white	12	7	1050
195B1350UC	red	24	16	160
195B1351UC	green	24	16	400
195B1352UC	yellow	24	16	350
195B1357UC	blue	24	16	280
195B135WUC	white	24	8	1200

Electrical and optical data are measured at an Ambient temperature of $T_A = 25^\circ\text{C}$.



All dimensions are given in mm

Can be used without any problems on a DC voltage and AC voltage. Bipolarity on DC voltage.

The same light output on a DC or AC Voltage

Mounting hole $22 \pm 0.2\text{mm}$

Maximum panel thickness 8,5mm

LED Panel mount indicators with an other voltage upon request available

Due to production tolerances, colour temperature variations may be detected within individual consignments.

Storage temperature	T_{stg}	: $-25^\circ\text{C} - +80^\circ\text{C}$
Ambient temperature	T_A	: $-20^\circ\text{C} - +60^\circ\text{C}$
Voltage tolerance	U_{op}	: $\pm 10\%$

Degree of protection: IP67 in accordance to DIN EN 60529. Gap between LED and bezel and gap between bezel and frontplate sealed to IP 67 when using the supplied gasket



Revision:	Date:	Name:	Drawn: E.S.	Contr: M.Z.	Date: 27.06.19
			Scale: 2 : 1	Datasheet no.:	195B1x5xUCE